

MAICO

1982

SPARE PARTS CATALOGUE

Model: ALPHA 1 ALPHA E

Chassis Type:

MC 250 - 353	Engine - 353
MC 490 - 354	Engine - 354
GS 250 - 353	Engine - 253
GS 490 - 354	Engine - 254

Chassis Description

Alpha Control with single shock suspension - Corte & Cosso shock with 325mm (12.8") rear wheel travel. Shock length 474mm (18.66") rebuildable with adjustable rebound dampening square swingarm with rising rate rocker arm - fully floating brake system - new air box - side number panels.
Alpha E - with Bosch ignition and wide ratio transmission.

Engine Description

New engine comes with extra support for the rocker arm unit. New cylinder with pressed in inlet manifold. New exhaust pipe - Alpha E models same as the motocross model frame with adaptable Enduro kit.

Frame Identification

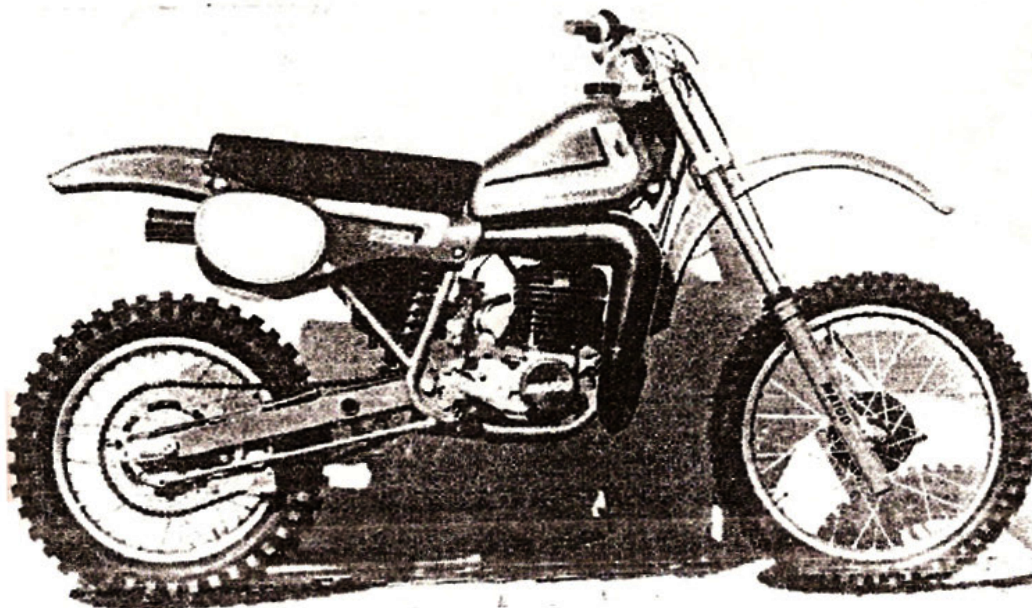
Stamped on the steering head.

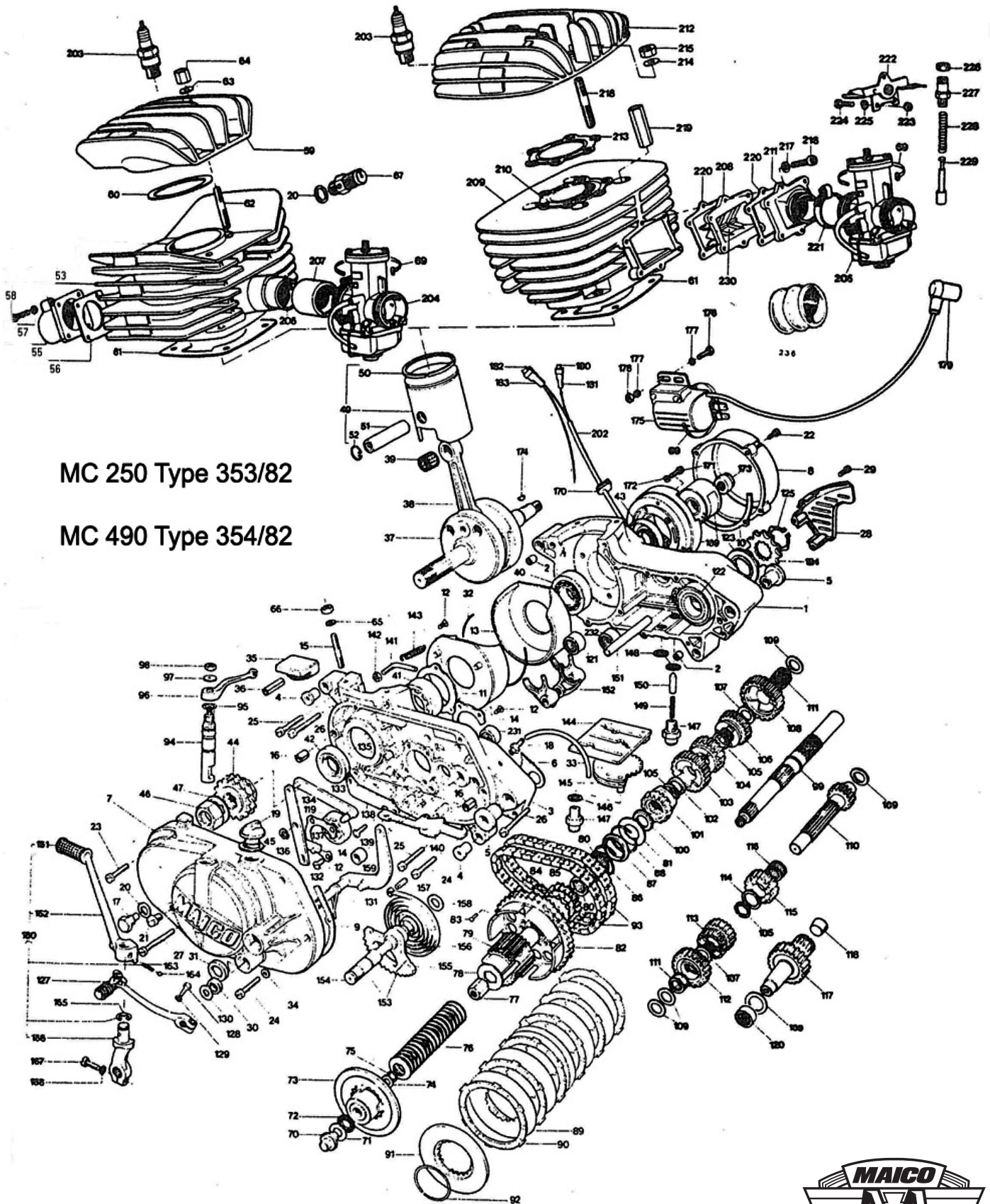
353 0000	-	250
354 0000	-	490

Engine Identification

Stamped on the engine case.

250 Alpha 1	353 0000
490 Alpha 1	354 0000
250 Alpha E	253 0000
490 Alpha E	254 0000





MC 250 Type 353/82

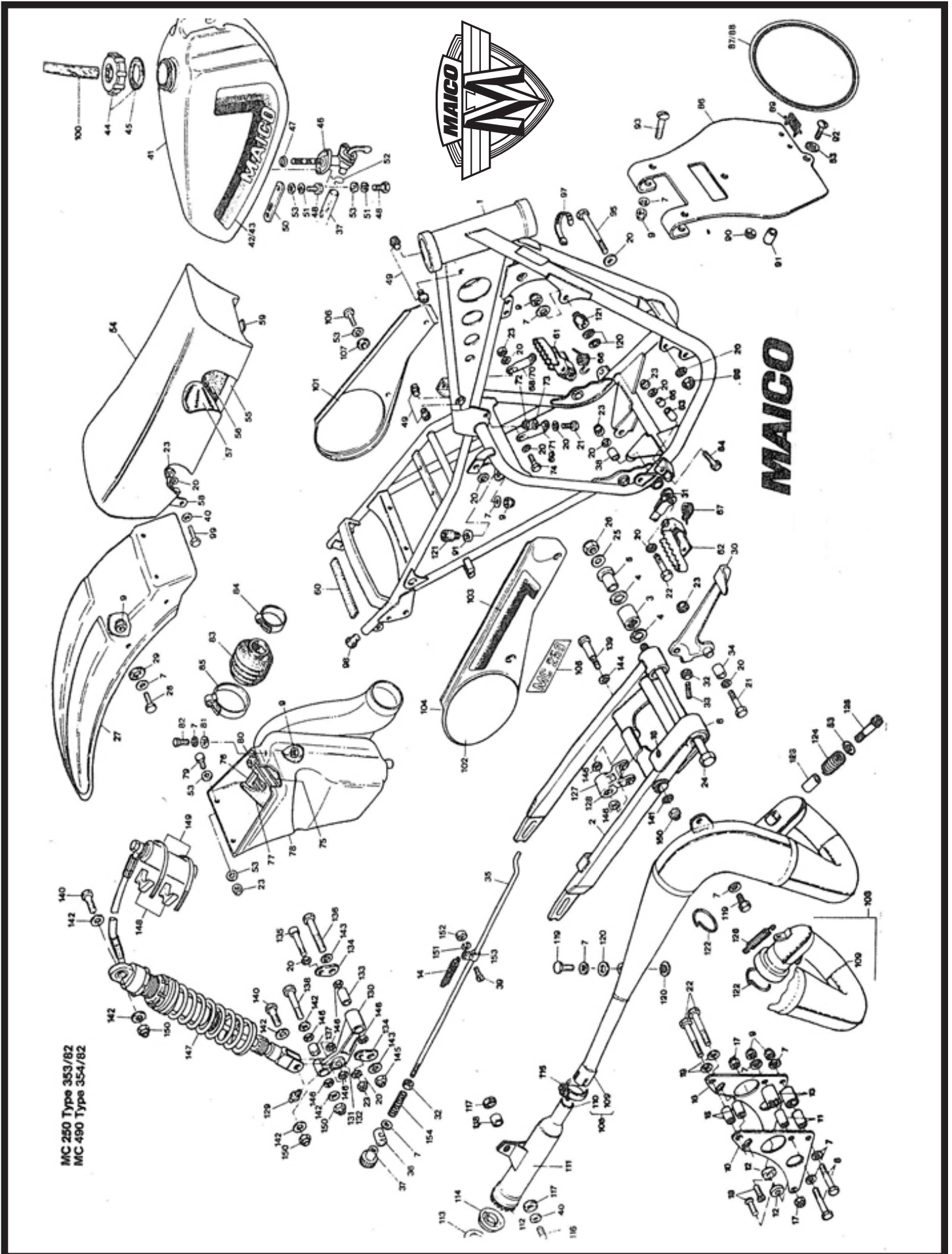
MC 490 Type 354/82



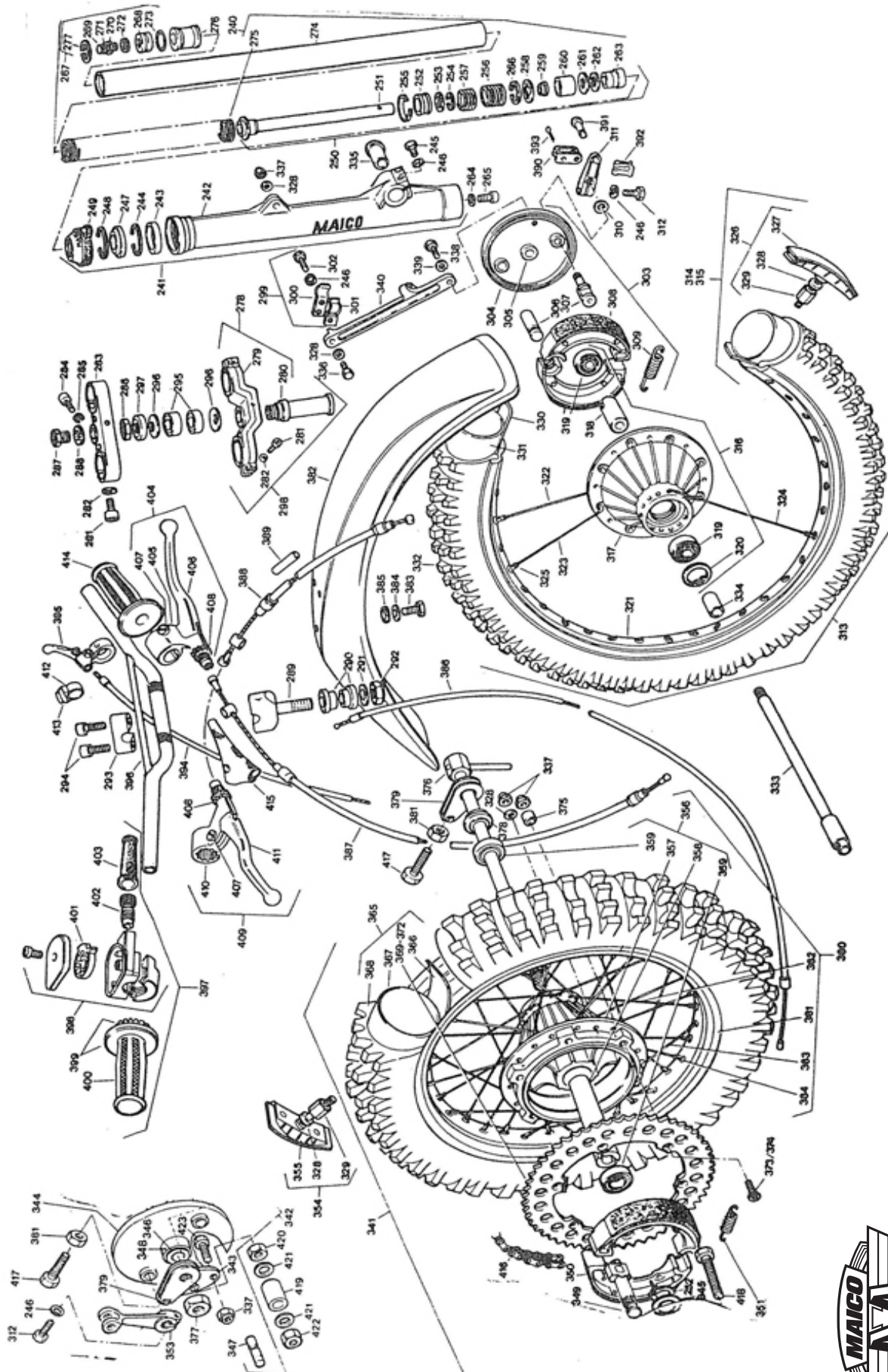
Pict. No.	Comp. No.	Description	MC 250 353	MC 490 354
168	1704	Spring ring 5 6	1	1
169	3598	Ignition cpl. Motoplat	1	1
170	3530	Rubber sleeve	1	1
171	1630	Inner hexagon screw M 5 x 16 DIN 912	3	3
172	1731	Washer B 5,3 DIN 125	3	3
173	1123	Nut for generator	1	1
174	1881	Woodruff key, 3 x 3,7 DIN 6868	1	1
175	3600	Ignition coil Motoplat	1	1
176	1567	Hexagon screw M 6 x 16 DIN 933	2	2
177	1732	Washer B 6,4 DIN 125	4	4
178	1690	Securing nut NM 6 DIN 980	2	2
179	3610	Cable plug	1	1
180	3576	Connector 6,3-1 DIN 46247	1	1
181	3596	Connector housing 6,3	1	1
182	3595	Connector 9,5-6 DIN 46247	1	1
183	3597	Connector 9,5	1	1
202	2607	Wirehousing B ϕ 3 x 0,4 DIN 40621	x	x
203	603	Spark plug Champion N 2	1	1
204	6904	Carburetor cpl. Bing V54/40/106/II	-	1
205	6905	Carburetor cpl. Bing V54/38/111/II	-	1
206	7465	Intake flange 490	-	1
207	5342	Bush	-	1
208	6796	Reed valve 250 cpl.	1	-
209	6788	Cylinder 250 cpl.	1	-
210	6789	Cylinder bush ϕ 67	1	-
211	7470	Intake flange 250	1	-
212	6791	Cylinder head 250	1	-
213	6792	Cylinder head gasket	1	-
214	1734	Washer B 8,4 DIN 125	6	-
215	1670	Hexagon screw M 8 DIN 934	10	-
216	1635	Inner hexagon screw M 6 x 25 DIN 912	6	-
217	1510	Spring ring B 6 DIN 128	6	-
218	2967	Cylinder head stud	6	-
219	6787	Nut	2	-
220	6810	Intake gasket	2	-
221	683	Clamp	1	-
222	6912	Choke lever	1	-
223	6914	Nut	2	-
224	6913	Screw	2	-
225	1509	Spring ring	2	-
226	6911	Rubber cap	1	-
227	6910	Choke housing	1	-
228	6909	Spring	1	-
229	6908	Choke piston	1	-
230	6798	Reed valve lips	2	-
231	5596	Needle bearing RNA 4901 DIN 617	1	1
232	5598	Outer ring withring of pins	1	1

x = yard goods



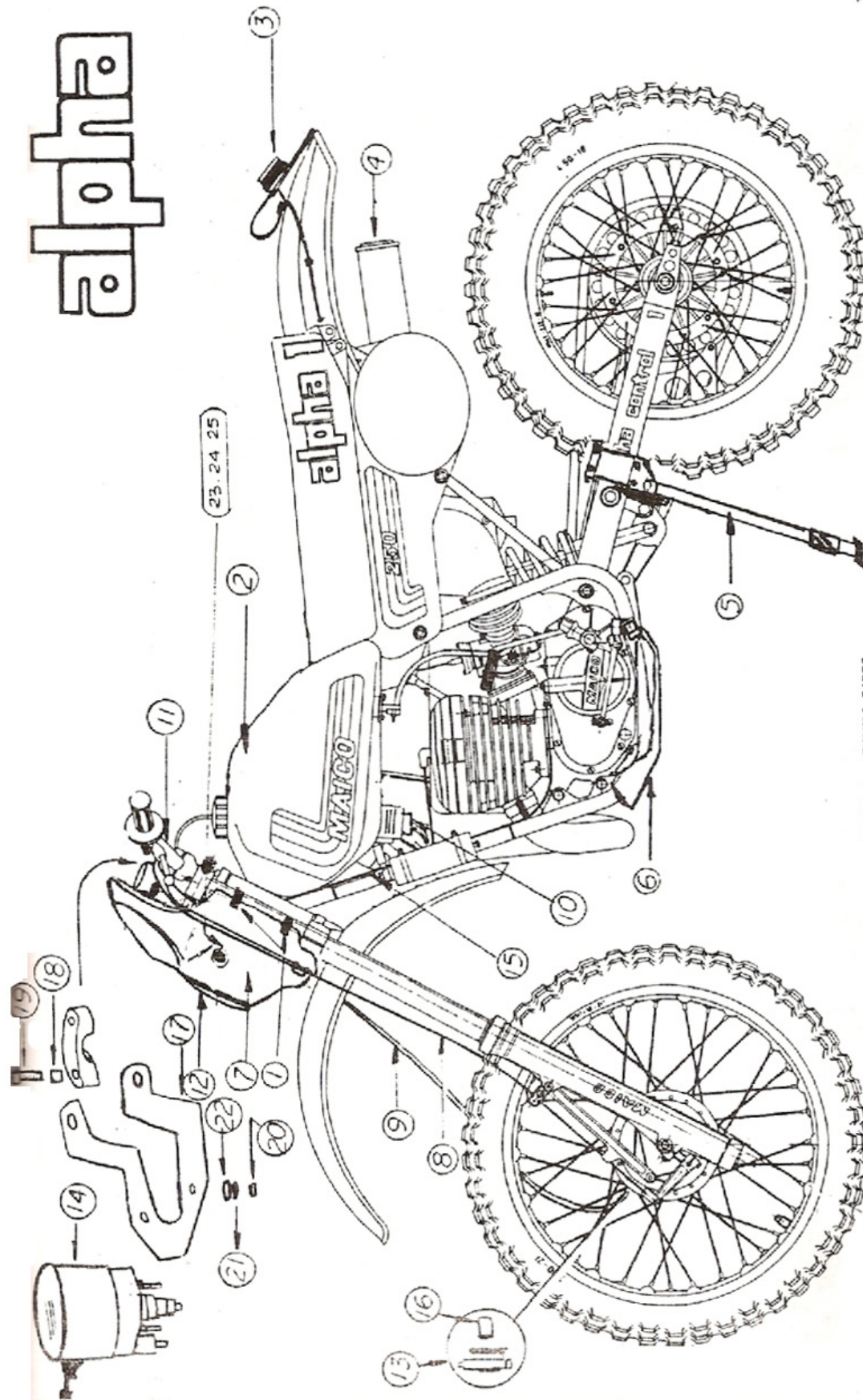


MC 250 Type 353/82
MC 490 Type 354/82





alpha e



1054

ALPHA E - ENDURO PARTS

Fig. No.	Part No.	Description	Fig. No.	Part No.	Description	Fig. No.	Part No.	Description
(1)	683	Clamp	(7)	7448	No plate shield	(16)	5625	Spacer CEV
(2)	7590	Gas tank 2.8 Gal	(8)	7344	Brake cable	(17)	3002	Spedo mount
*(3)	82188	Gas tank 4 Gal	(9)	7334	Speedometer cable	(18)	7336	Spacer
*(4)	82190	Tail Light	(10)	7381	Wiring main	(19)	1648	Bolt
*(5)	82195	Spark arrester muffler 250	(11)	7380	Wiring with switch	(20)	1689	Nut 5mm
*(6a)	82196	Spark arrester muffler 490	(12)	7365	Headlight	(21)	1758	Washer
*(5)	82192	Side stand CPL	*(12a)	82189a	CEV drive	(22)	2708	Washer
*(6)	82191	Skid plate CPL	(13)	7341	CEV Bolt	(23)	1591	Bolt
*(7)	82189	No Plate shield	(14)	3262	VDO speedometer	(24)	1734	Washer
			(15)	3002	Wiring hardware	(25)	1511	Washer

* Accessories - Crossline Products

ALPHA E - ENDURO ENGINE PARTS

Picture No.	Part No.	Description
99	2025	Mainshaft
101	3449	1st gear on mainshaft G 17T
102	3706	Spacer ring
103	3435	4th gear on mainshaft MG 26T
104	3443	3rd gear on mainshaft G 23T
105	492	Retainer ring
106	3448	2nd gear on mainshaft G 20T
107	3723	Shim
108	2049	5th gear on mainshaft 28T GT
109	3893	Spacer washer
110	5697	Layshaft GT1
111	913	Needle gauge
112	3446	1st gear on layshaft 28T G1
113	3450	Twin block 18/21 G
114	3456	Shim
115	3447	2nd gear on layshaft 24T G1
116	3757	Needle gauge
117	2048	Drive shaft 29T GT
118	2038	Plug
120	513	Bearing
170	3530	Sleeve
171	1630	Socket screw M 5x16
172	1731	Washer
173	1123	Nut
176	1567	Hexagon screw
177	1732	Shim
178	1690	Hexagon nut MM6 DIN 980
184	5396	Bosch electronic ignition CPL
185	5397	Stator (VA)
186	5398	Rotor (VA)
187	5399	Electronic Box
188	5404	Support for electronic box
189	3884	Cable plug
190	60	Cable plug
191	1126	Cable plug
192	589	High tension lead
193	3308	Connector
194	3087	Rubber cap
195	3305	Connector female
196	3577	Connector housing
197	3596	Connector female
198	5730	Cable
199	2611	Cable sleeve
200	2610	Cable sleeve
201	2608	Cable sleeve
202	2607	Cable housing
109.1	3201	0.8 mm shim

